



XG3120
Skid Steer Loader

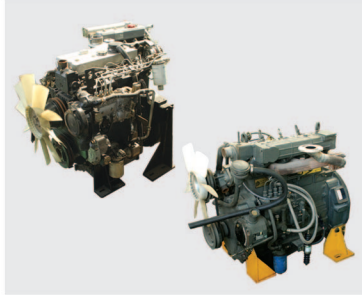


Skid Steer Loader XG3120

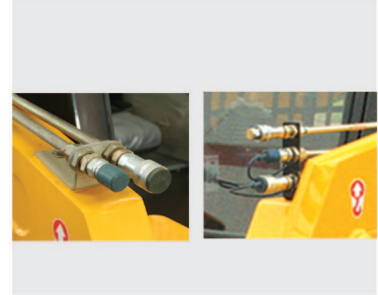
Features



▲ Extended wheelbase



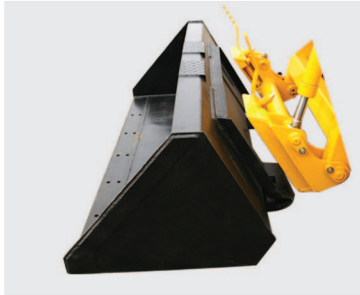
▲ Perkins,hyundai brand diesel engine



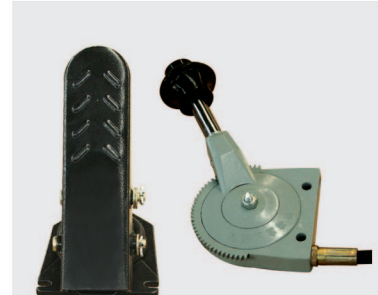
▲ High flow double output



▲ Hydraulic control



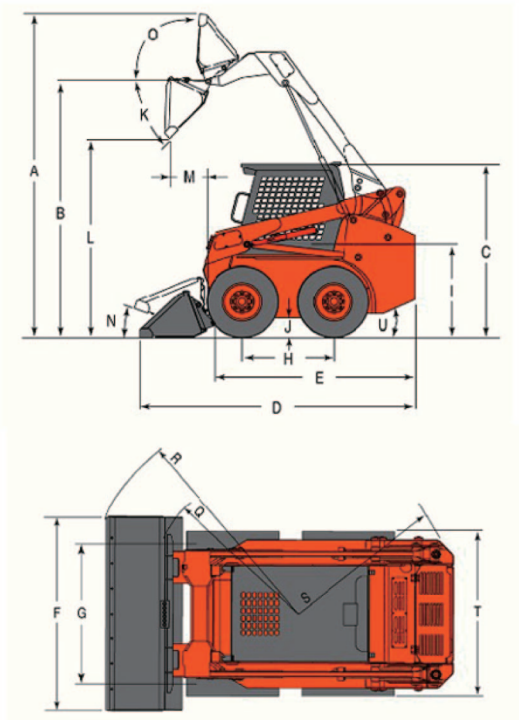
▲ Same Quick-Attach system fits for most famous brands



▲ Hand &-foot throttle

Specifications & Dimensions

| | |
|-------------------------------|-------------------|
| Rated Operating Capacity | 1200 kg |
| Tipping Load | 2100 kg |
| Bucket Capacity | 0.6m ³ |
| Lifting Force | 2400 kg |
| Hydraulic Pump Flow | 75/105 L/min |
| Engine power | 75/95HP |
| Weight | 3500 |
| Max. Travel Speed | 8/16 km/h |
| Grade Ability | 20° |
| Tyre | 12-16-15 N.H.S |
| Fuel/hyd.oil capacity | 90/90 L |
| A Height at Maximum Extension | 4070mm |
| B Hinge Pin Height | 3150mm |
| C Total Height | 2150mm |
| D Length with Bucket | 3580mm |
| E Length without Bucket | 2880mm |
| F Width with Bucket | 1880mm |
| G Track Width | 1115mm |
| H Wheelbase | 1185mm |
| J Ground Clearance | 205mm |
| K Dump Angle | 40° |
| L Dumping Height | 2450mm |
| M Maximum Reach | 700mm |



XIAMEN XGMA MACHINERY CO., LTD.
 XIAMEN XGMA INTERNATIONAL TRADE CO., LTD.
 Add: 21st Floor,CCRE Tower,No.668 XiaHe Road, Xiamen,361004, China
 Tel: 0086-592-2360090 Fax: 0086-592-5822378
 E-mail:marketing@xiagong.com http://www.xgma.com.cn