

**XG3090
XG3100**

SKID STEER LOADER

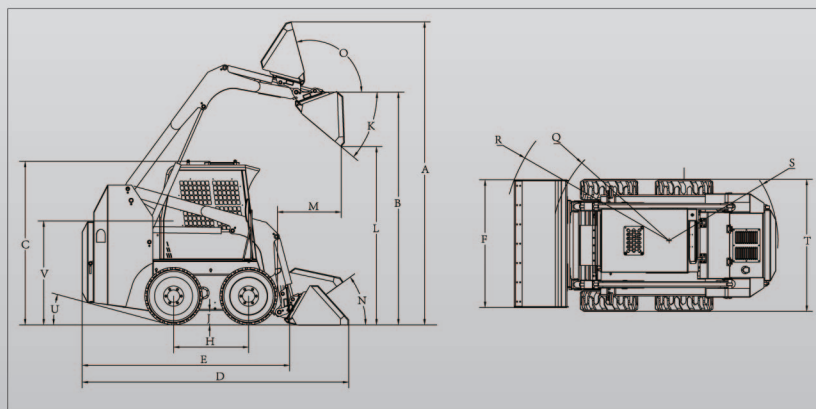


SPECIFICATIONS

MAIN DATA	Unit	XG3090	XG3100
Operating weight	kg	3240	3300
Rated Power (SAE J1349)	Kw	55/75	55/75
Rated engine speed	rpm	2450	2450
Operating load	kg	900	1000
Rated lift capacity	m ³	0.5	0.55
Breakout force	N	20500	21100
ENGINE			
Manufacturer		Deutz(Dalian)	Deutz(Dalian)
Model		CA498T1	CA498T1
Type		Vertical inline water-cooled four stroke pressurization	Vertical inline water-cooled four stroke pressurization
Cylinders	Nr	4	4
Displacement	L	3.168	3.168
Aspiration		Normally	Normally
ELECTRICAL SYSTEM			
Voltage	V	24	24
Alternator	A	500	500
TRANSMISSION			
Type		Close Type	Close Type
Number of speeds		1	1
Ground speed (forward reverse)	Km/h	12/12	12/12
Hydraulic pump		Variable Ram pump	Variable Ram pump
Hydraulic motors		radial plunger type type motor	radial plunger type type motor
Hydraulic motors		radial plunger type type motor	radial plunger type type motor
Final reduction		9.8	12.6
Type (standard)		Hydraulic	Hydraulic
HYDRAULIC SYSTEM			
Type		Open Type	Open Type
Main pump		Gear Pump	Gear Pump
Total flow	l/min	73.5	75
Max. operating pressure	bar	18	18
Lift cylinders	Nr.	2	2
Bore x stroke	mm	63/35-680	63/35-680
Bucket cylinders bore x stroke	Nr.mm	63/35-680	63/35-485
CYCLE TIME			
Raise	sec.	3	3
Lower	sec.	3.5	3.5
Dump Rollback	sec.	2	2
CARBIN			
		Close	Close
CAPACITIES			
Fuel oil	liter	80	80
Hydraulic system tank	liter	75	75

DIMENSION

Description	Unit	XG3090	XG3100
Overall Length (A)	mm	3490	3490
Overall Length Wo/Bucket (E)	mm	2750	2750
Overall Width (T)	mm	1740	1880
Bucket Width (F)	mm	1740	1880
Overall Height (C)	mm	2150	2150
Wheel Distance (H)	mm	991	1085
Ground Clearance (J)	mm	205	200
Height At Max. Extension (A)	mm	4000	4000
Height To Bucket Hinge Pin (B)	mm	3100	3100
Dumping Height (L)	mm	2400	2400
Dumping Reach (M)	mm	750	750
Dumping Angle (K)	°	40°	40°
Bucket Turning Angle(Back) (O)	°	105°	105°
Rollback At Ground (N)	°	30°	30°
Angle Of Departure (U)	°	20°	20°
Seat Height (V)	mm	1130	1150
Turning Radius W/bucket (R)	mm	1958	2030
Turning Radius (Front Wheel) (Q)	mm	1198	1204
Turning Radius(Back Wheel) (S)	mm	1728	1706



**XG3090
XG3100
SKID STEER LOADER**



XIAMEN XGMA MACHINERY CO., LTD.
 XIAMEN XGMA INTERNATIONAL TRADE CO., LTD.
 Add: 21st Floor,CCRE Tower,No.668 XiaHe Road, Xiamen,361004, China
 Tel: 0086-592-2360090 Fax: 0086-592-5822378
 E-mail:marketing@xiagong.com http://www.xgma.com.cn

These data offer a good description of the concerned machinery and its capacity. However, in some case, they can differ from the rules. Technical changes reserved without previous announcement.